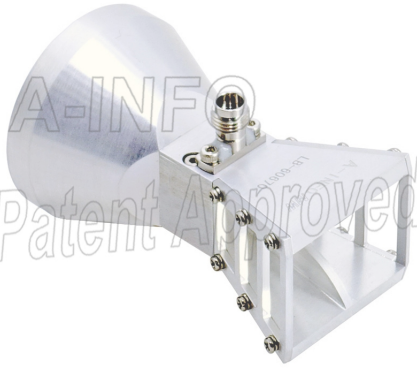


For reference only. See data sheet for the detailed specifications.

Technical Specification



Frequency Range(GHz)	6.0 - 67.0
Gain(dBi)	13 Typ.
Polarization	Linear
3dB Beamwidth(deg)	E Plane: 105 - 10
	H Plane: 86 - 9
Cross Pol. Isolation(dB)	30 Typ.
VSWR	1.5:1 Typ.
	2.5:1 Max.
Connector	1.85mm-Female
Power Handling(W. CW)	5 Max.
Material	Al
Finish	Chemical Conversion Coating
Size(mm)	41.3 x 41.3 x 65
Net Weight(Kg)	0.10 Around

PATENT ID (US)

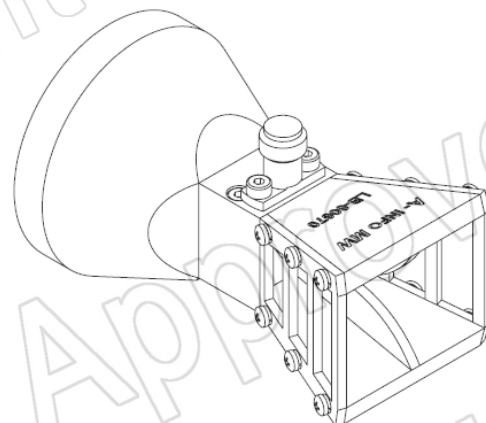
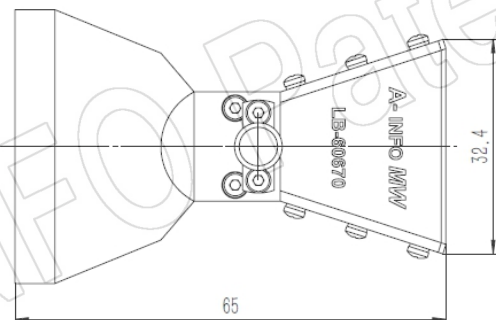
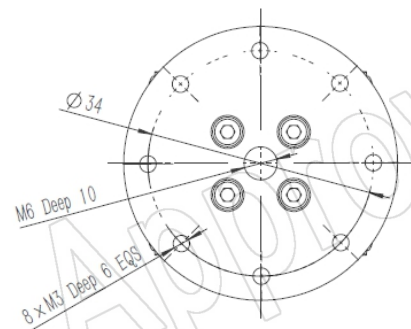
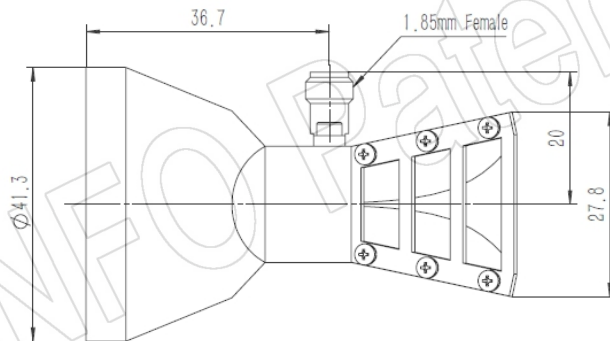
US D972538

PATENT ID (China)

ZL201920223313.1, ZL202030088180.X

Outline Drawing (Size: mm)

1.85mm-Female Output (P/N: LB-60670-1.85F)



AINFO Inc.

China(Beijing):
China(Chengdu):
USA :

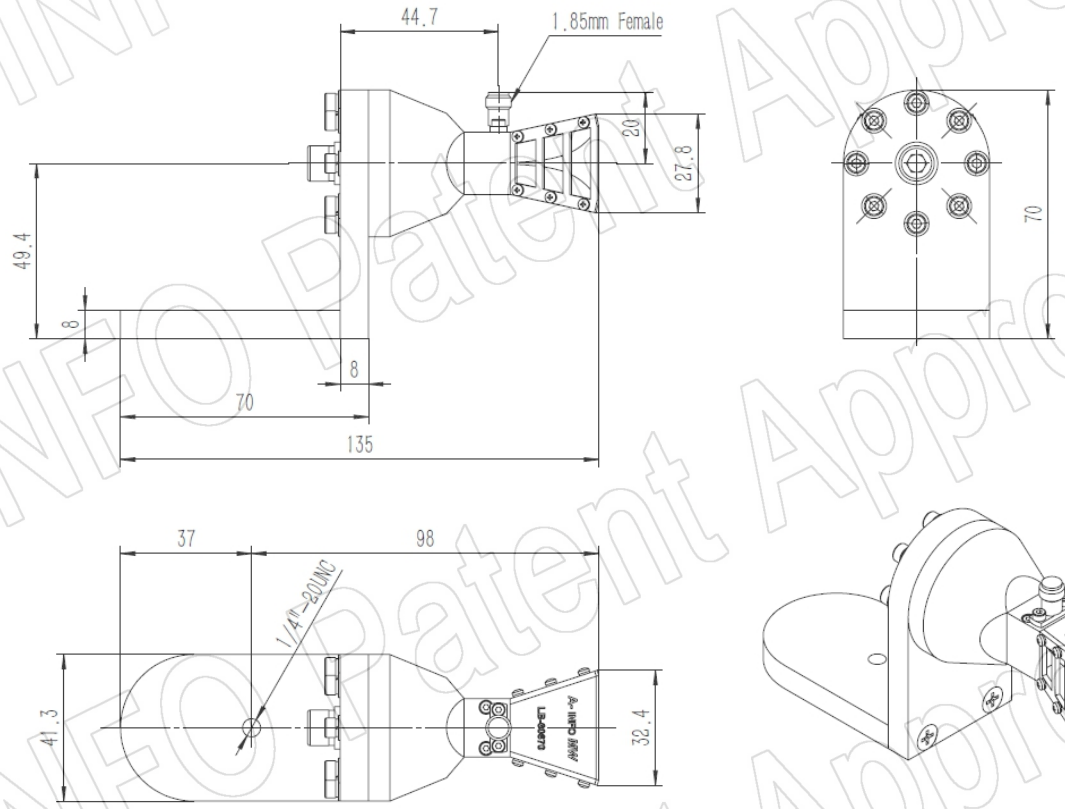
Tel: (+86) 10-6266-7326,
Tel: (+86) 28-8519-2786,
Tel: (+1) 949-639-9688,

(+86) 10-6266-7327
(+86) 28-8519-3044
(+1) 949-639-9608

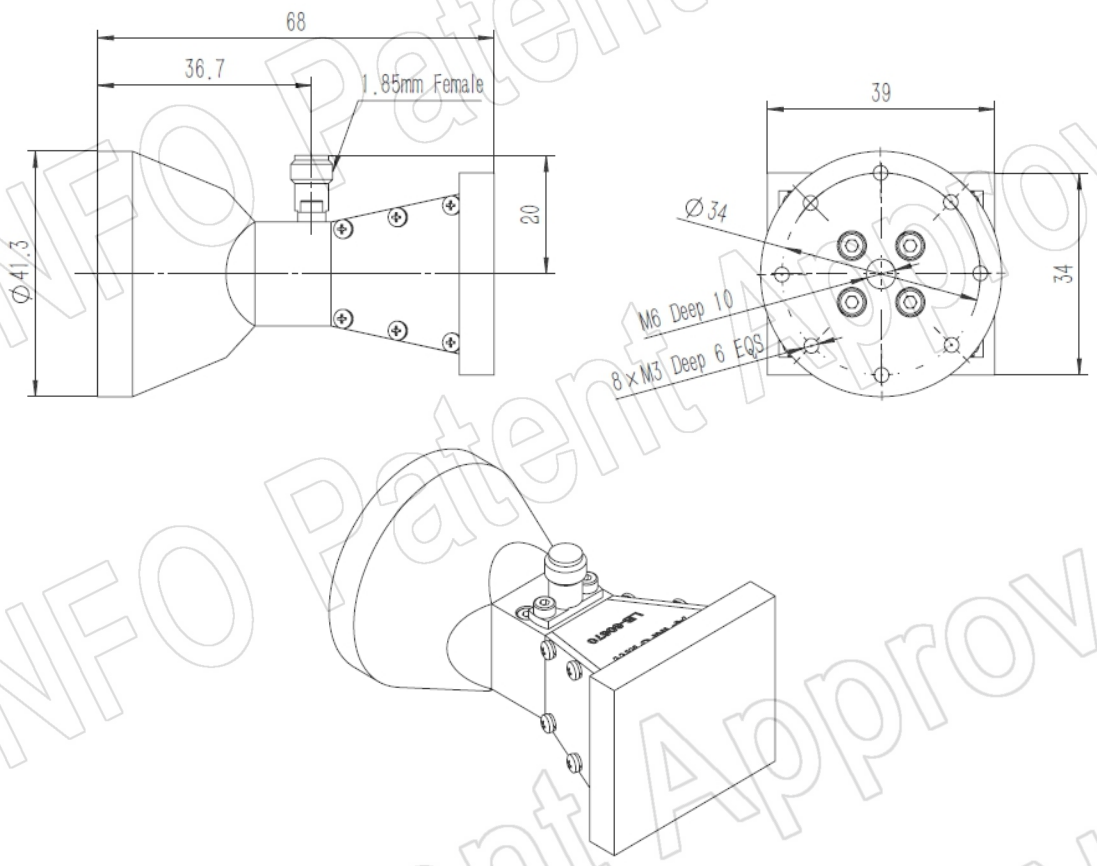
Fax: (+86) 10-6266-7379
Fax: (+86) 28-8519-3068
Fax: (+1) 949-639-9670

Website: www.ainfoinc.com
Email: sales@ainfoinc.com

1.85mm-Female Output with L Type Mounting Bracket (Option, P/N: LB-20180-L)



1.85mm-Female Output with Radome (Option, P/N: LB-60670-1.85FSPO, Outdoor Application)



AINFO Inc.

China(Beijing):
China(Chengdu):
USA :

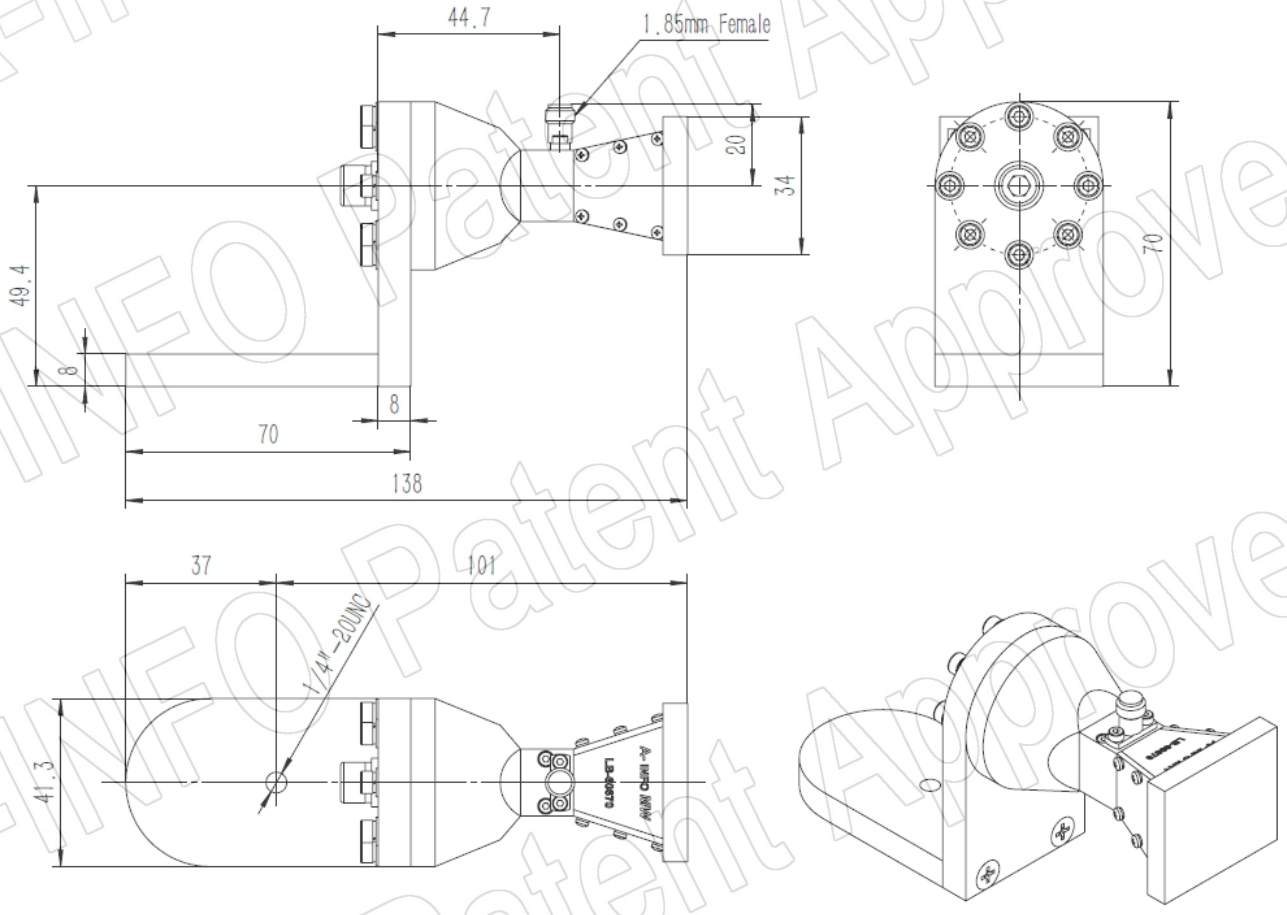
Tel: (+86) 10-6266-7326,
Tel: (+86) 28-8519-2786,
Tel: (+1) 949-639-9688,

(+86) 10-6266-7327
(+86) 28-8519-3044
(+1) 949-639-9608

Fax: (+86) 10-6266-7379
Fax: (+86) 28-8519-3068
Fax: (+1) 949-639-9670

Website: www.ainfoinc.com
Email: sales@ainfoinc.com

1.85mm Female Output with L Type Mounting Bracket & Radome (Option, P/N: LB-20180-L & LB-60670-1.85FSPO, Outdoor Application)



AINFO Inc.

China(Beijing):
China(Chengdu):
USA :

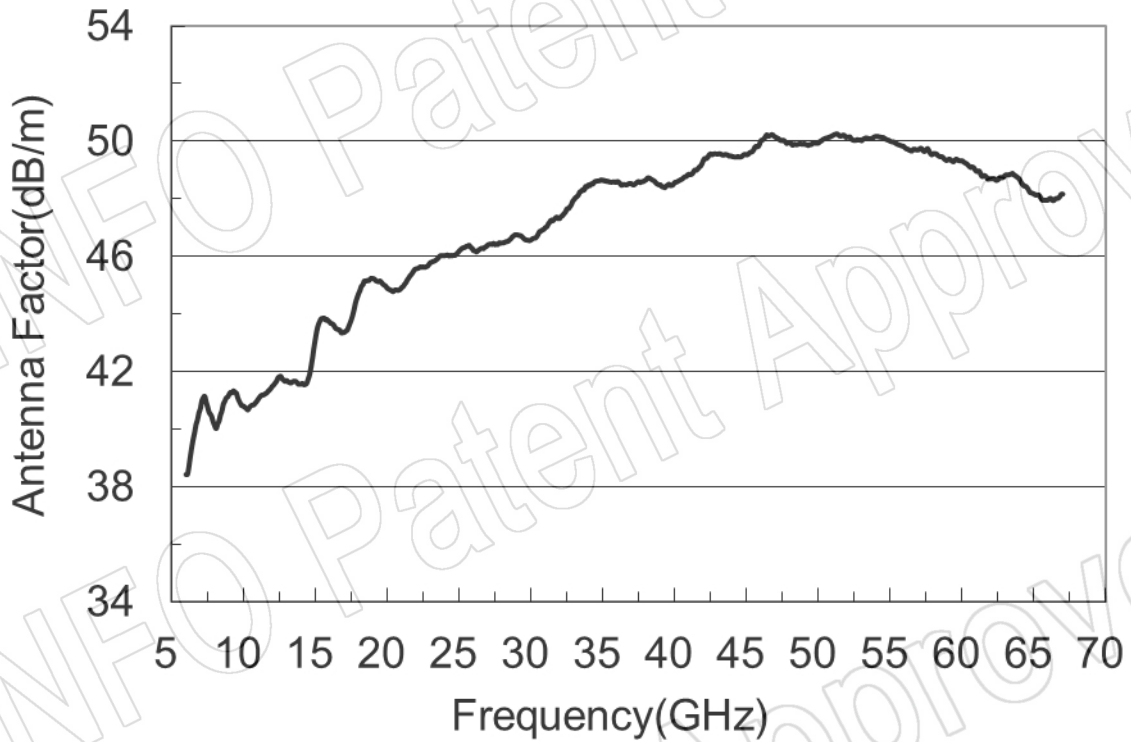
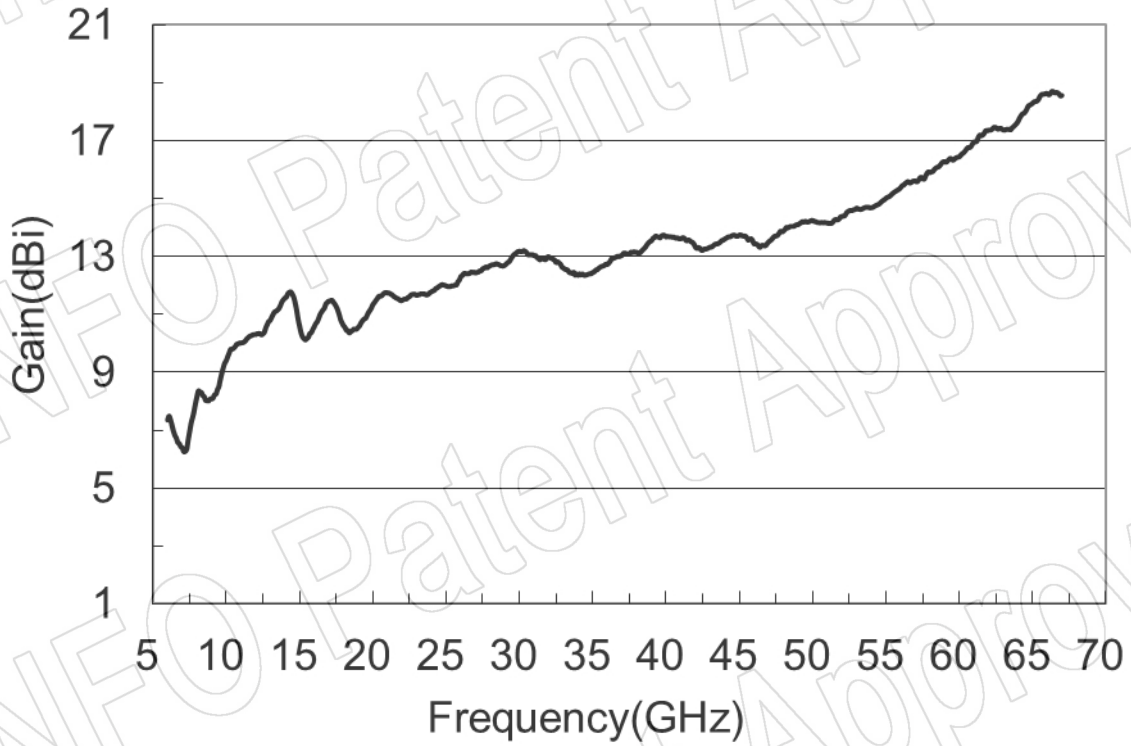
Tel: (+86) 10-6266-7326,
Tel: (+86) 28-8519-2786,
Tel: (+1) 949-639-9688,

(+86) 10-6266-7327
(+86) 28-8519-3044
(+1) 949-639-9608

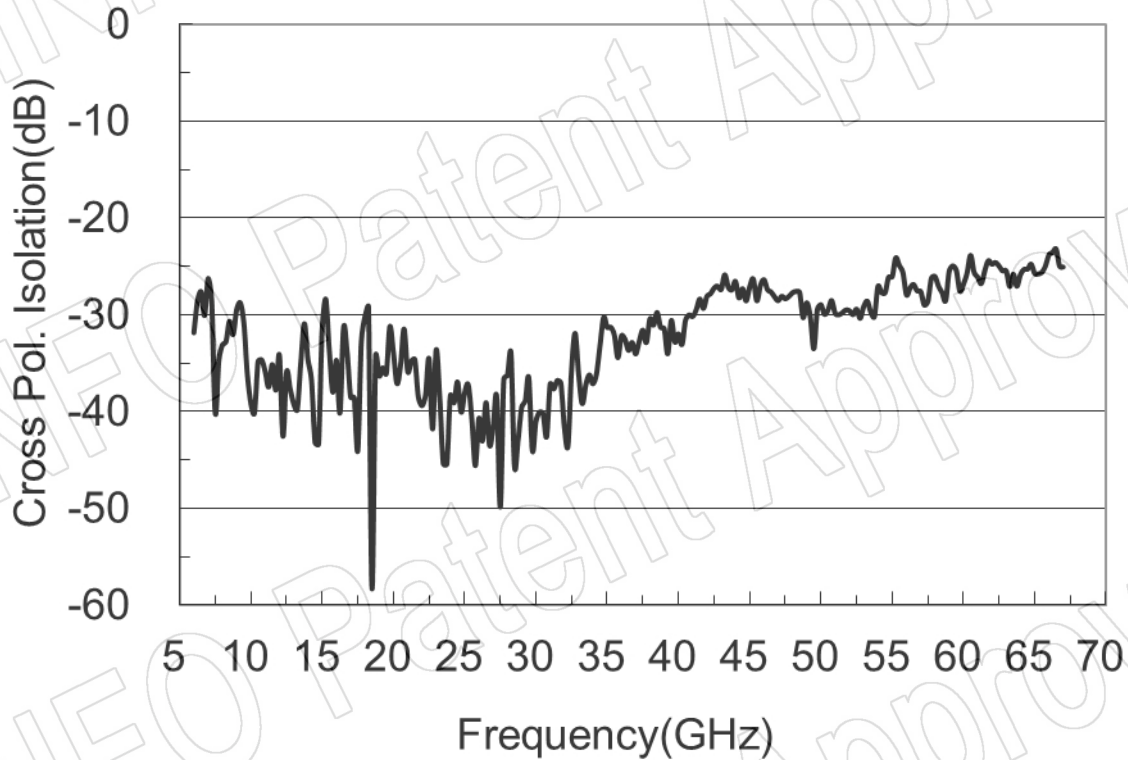
Fax: (+86) 10-6266-7379
Fax: (+86) 28-8519-3068
Fax: (+1) 949-639-9670

Test Results

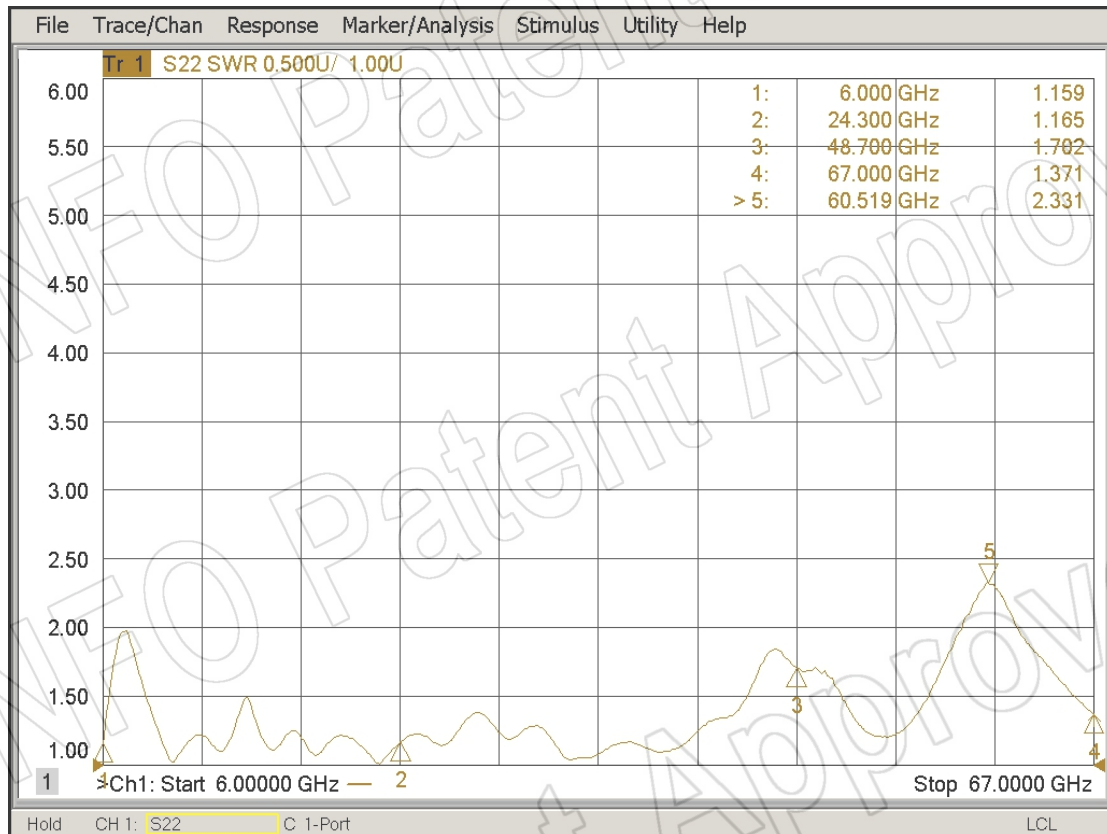
1. Gain & Antenna Factor



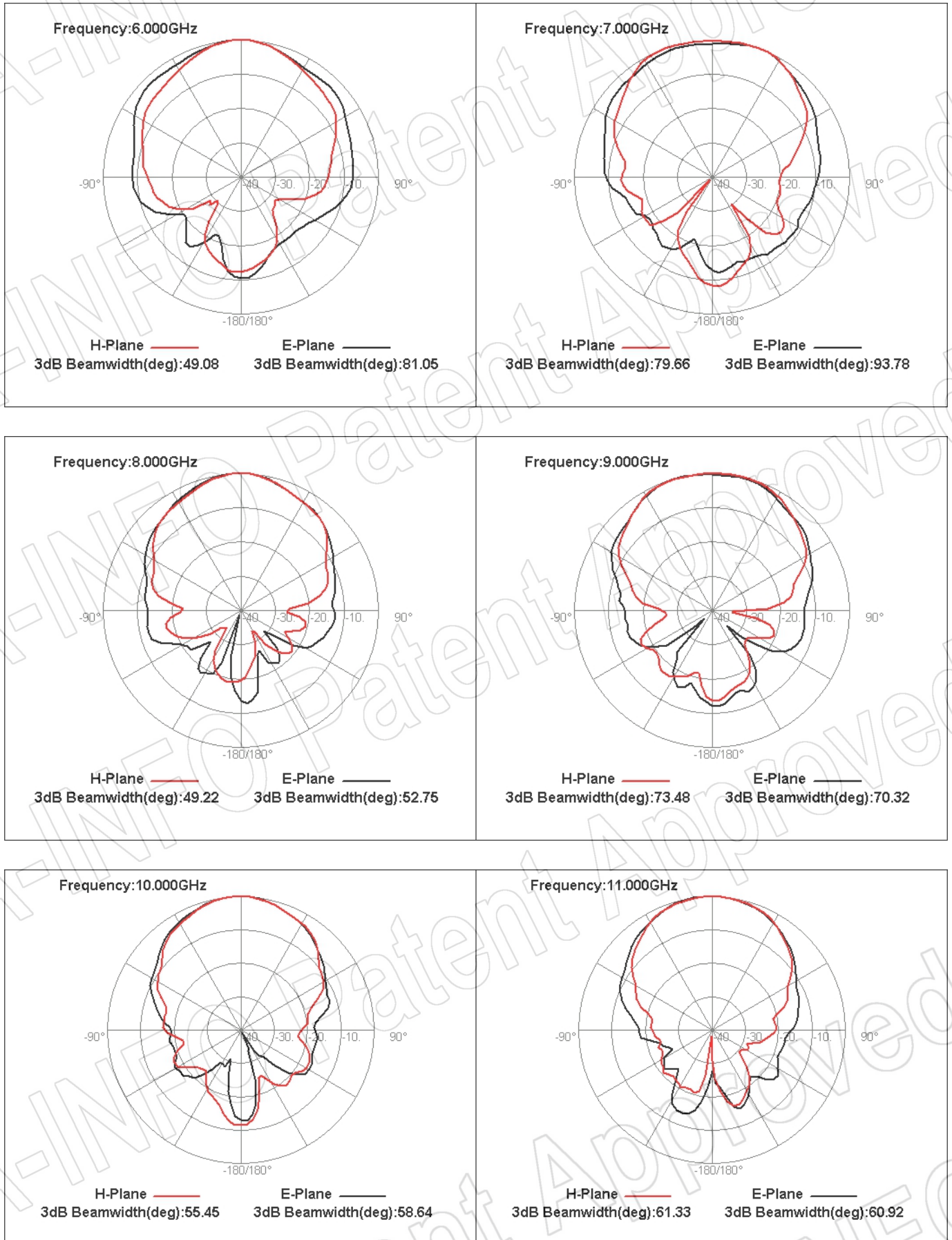
2. Cross Polarization Isolation

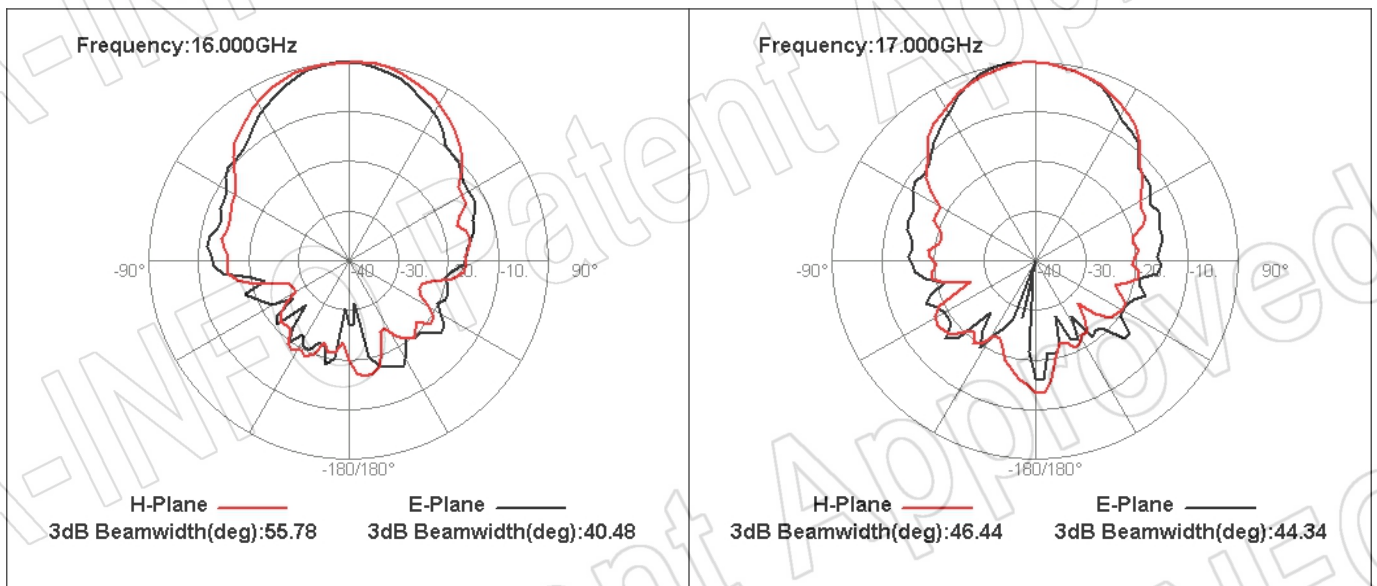
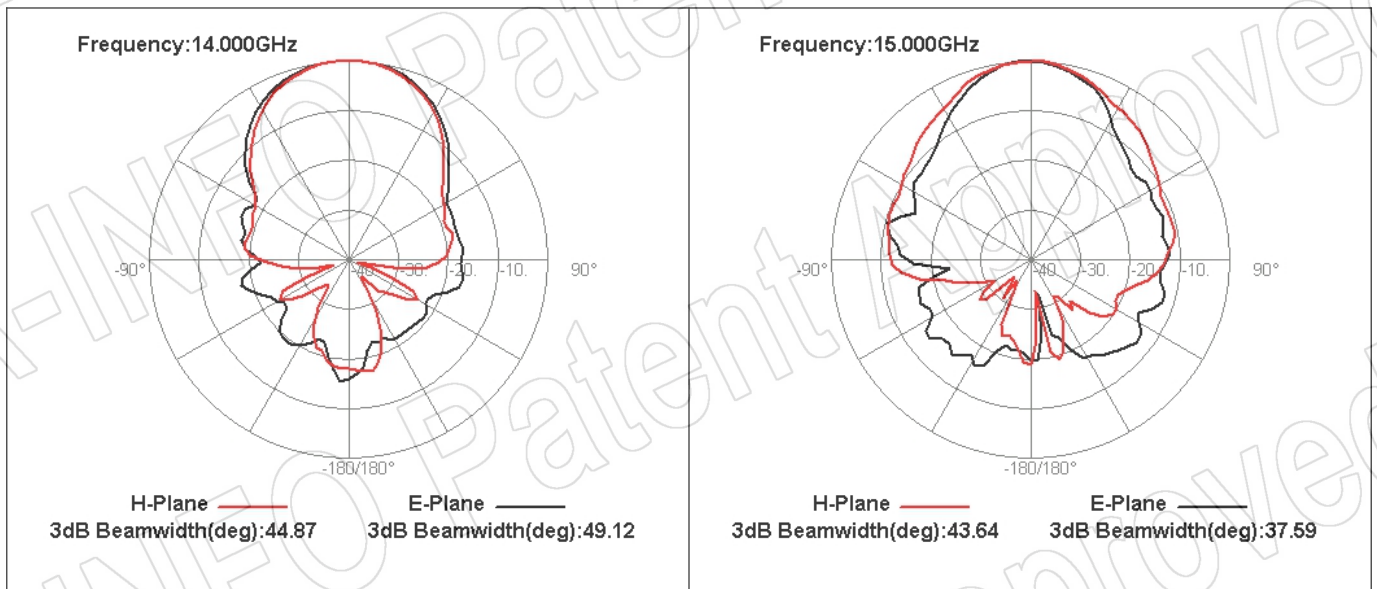
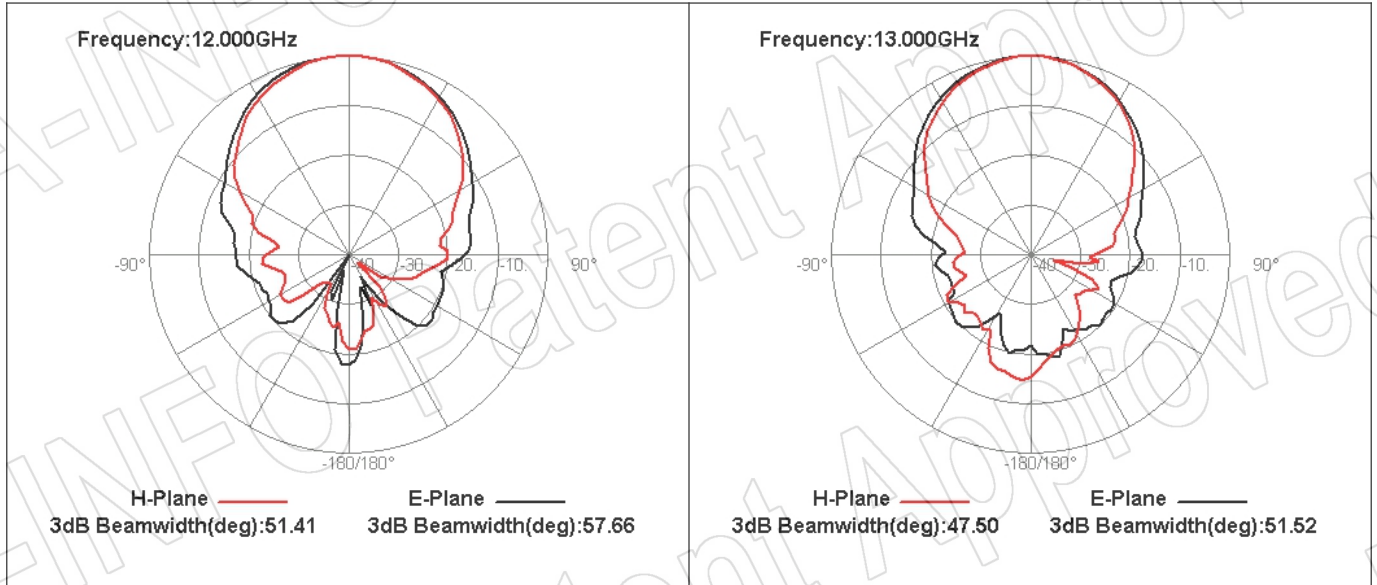


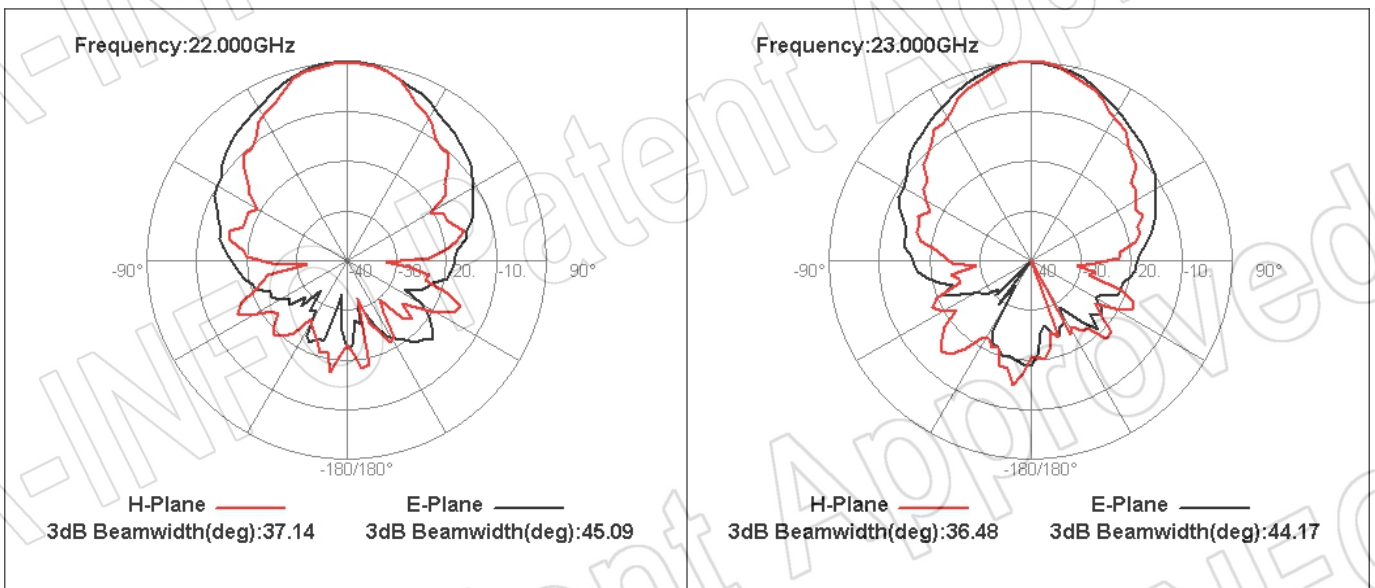
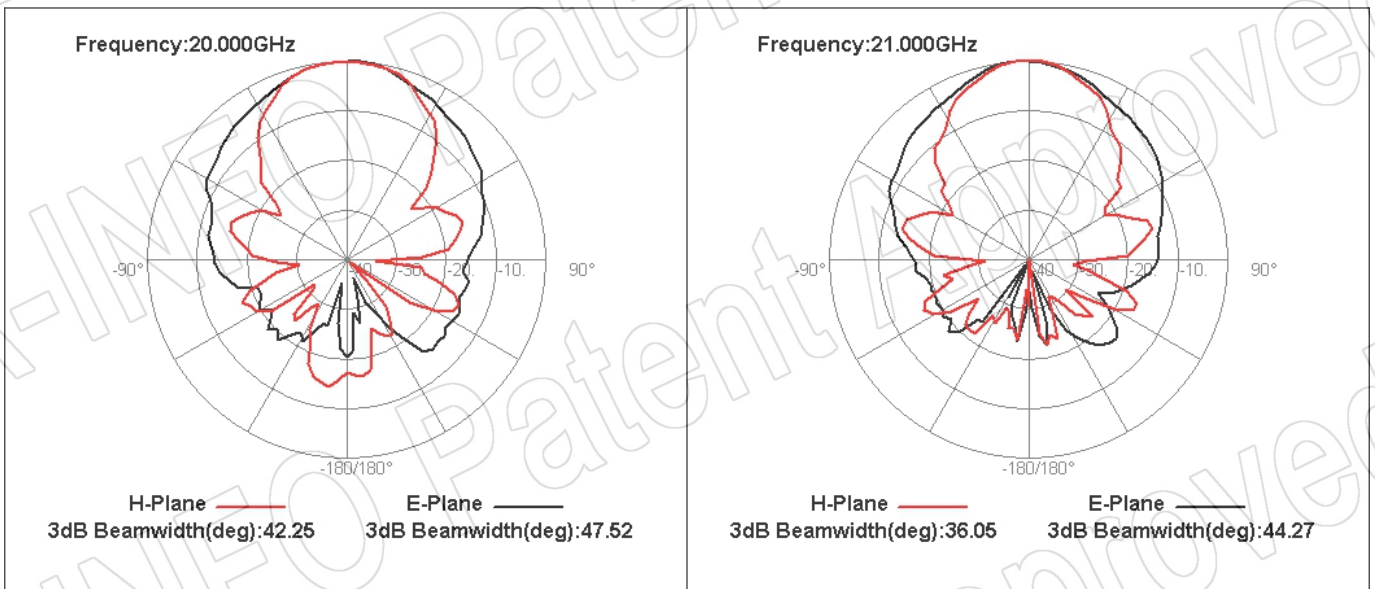
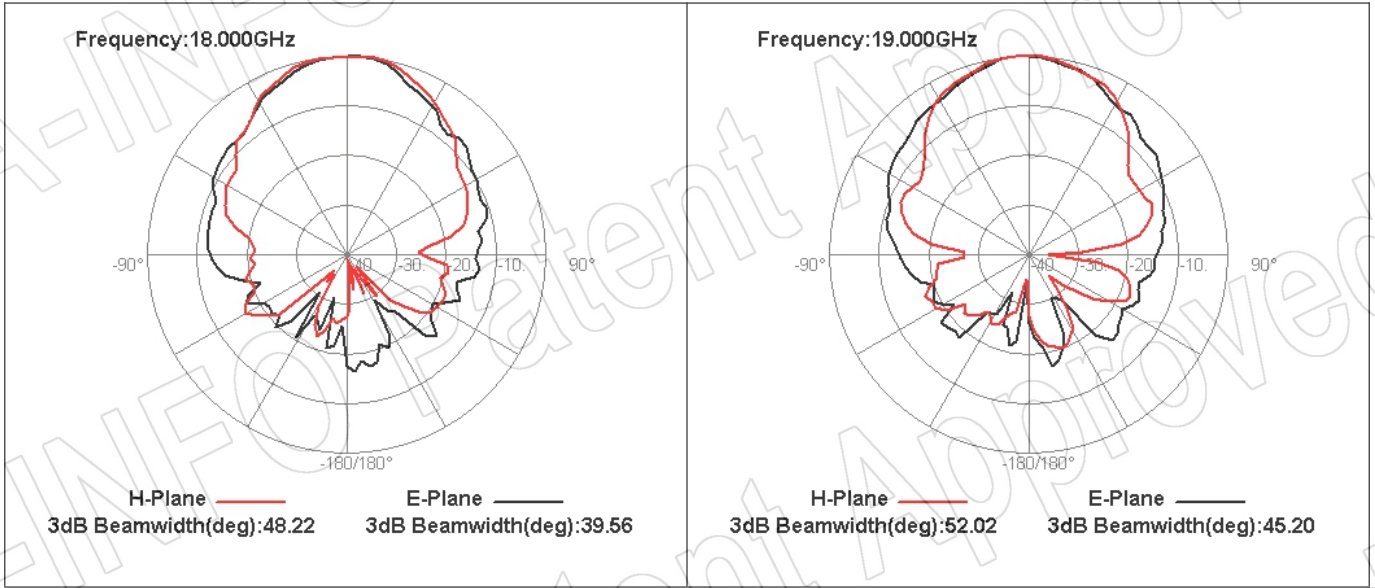
3. VSWR

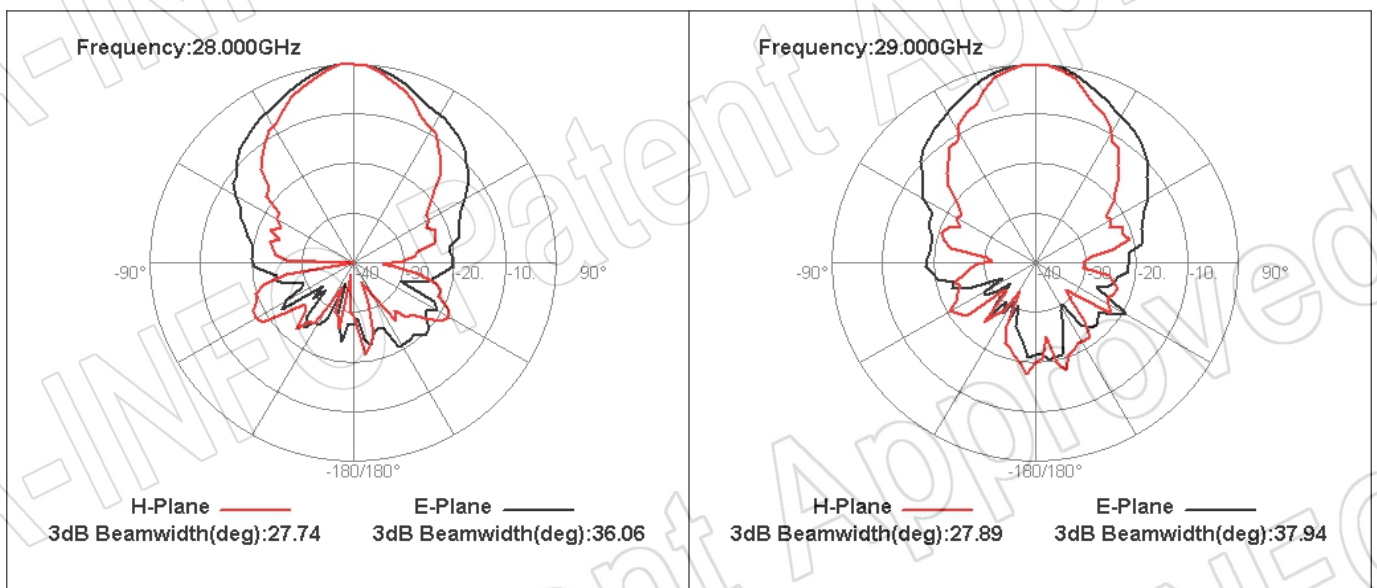
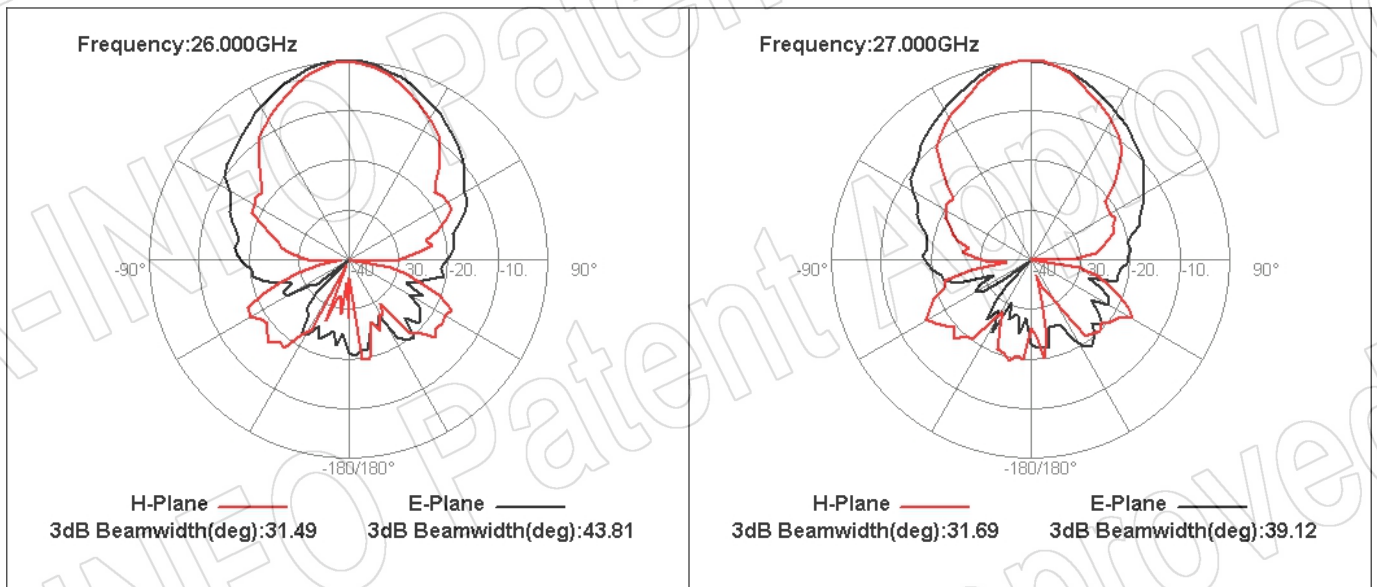
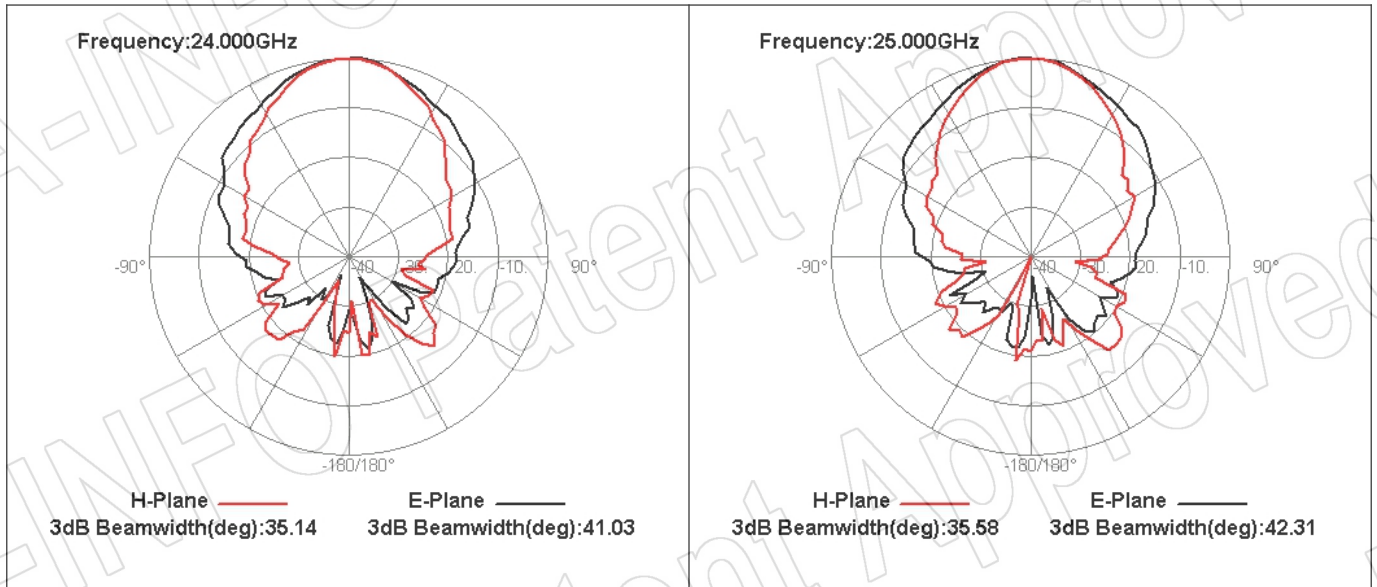


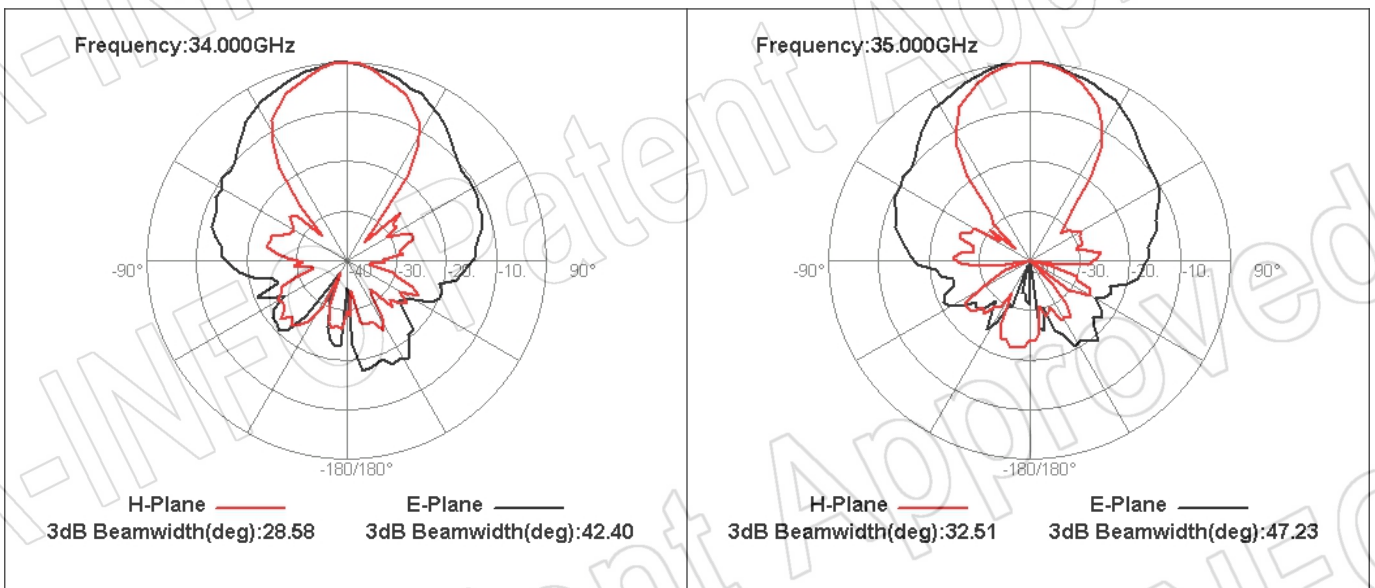
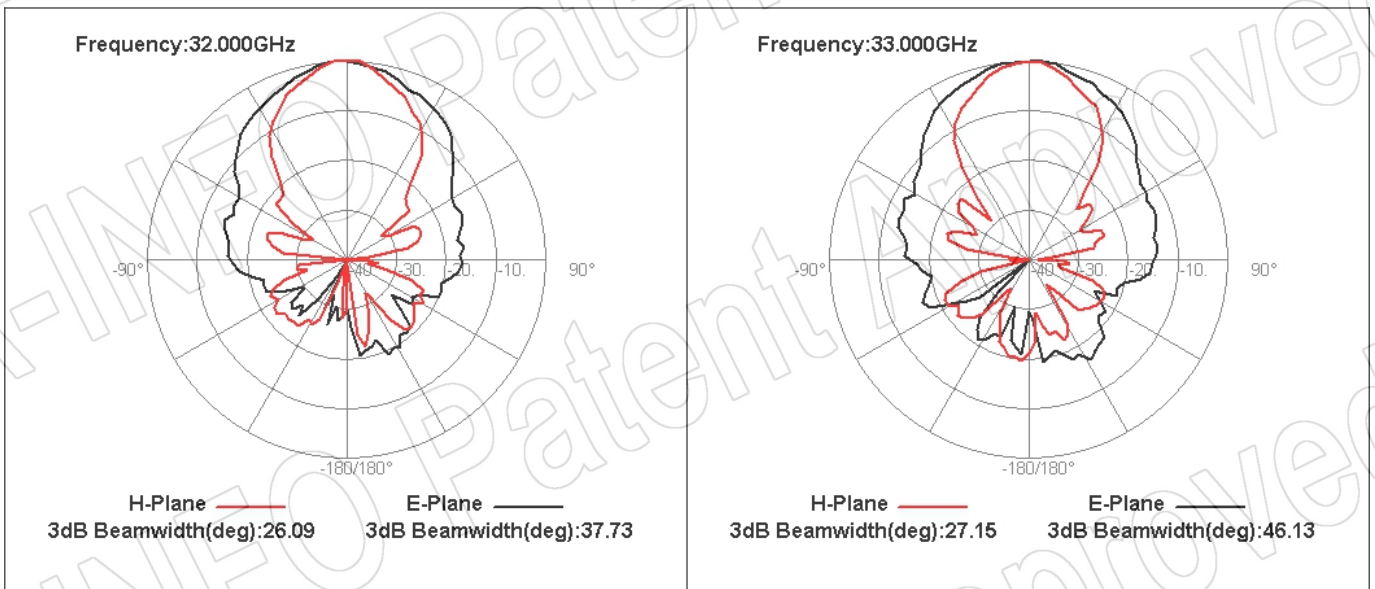
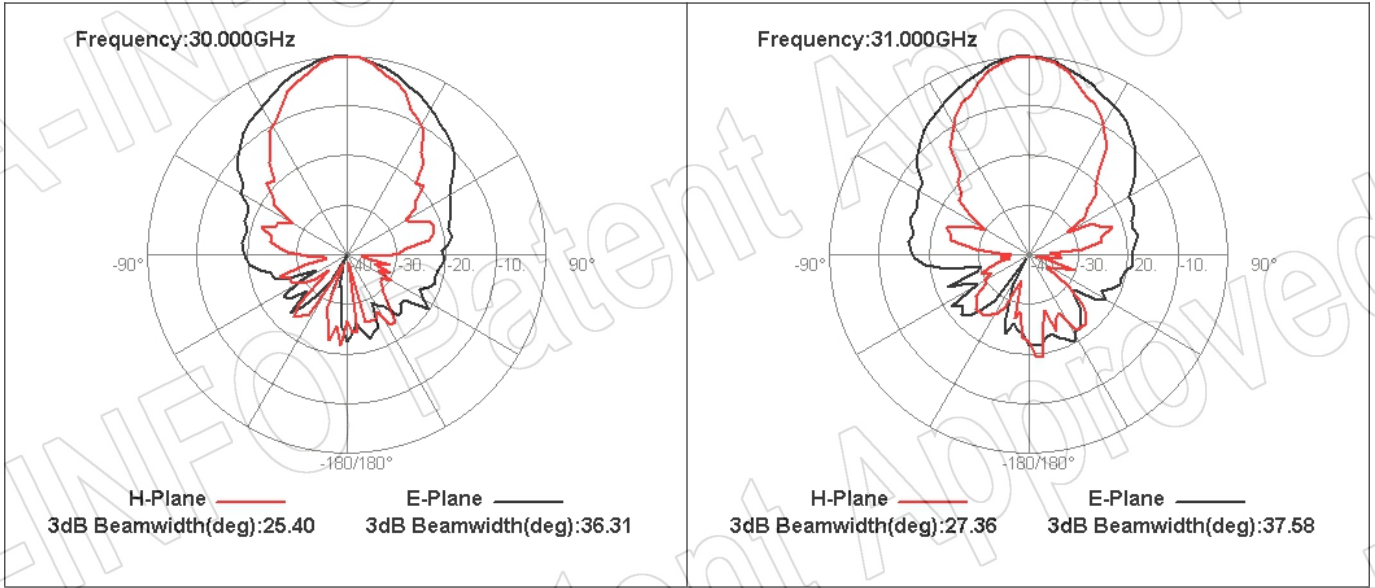
4. Pattern

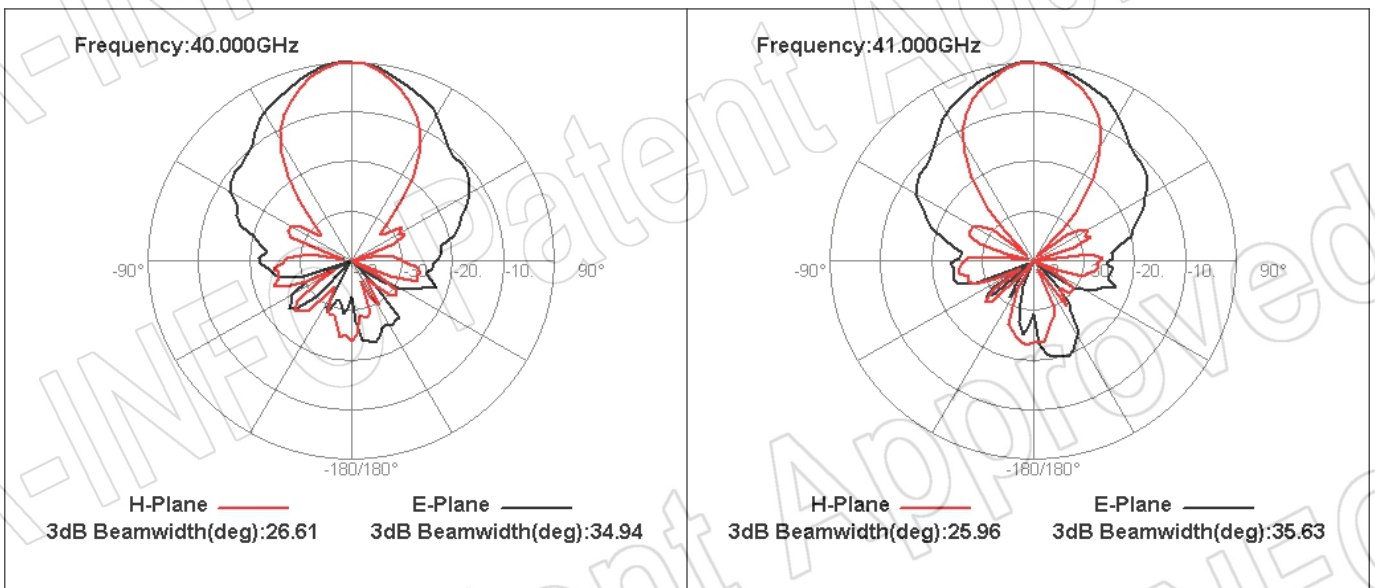
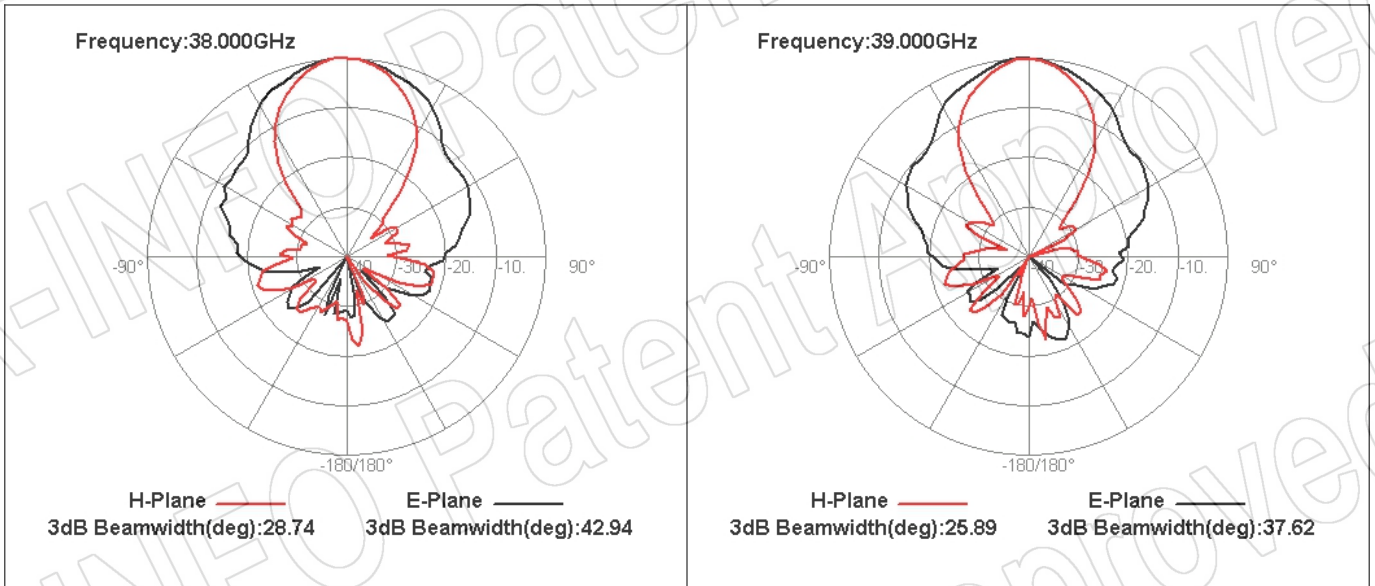
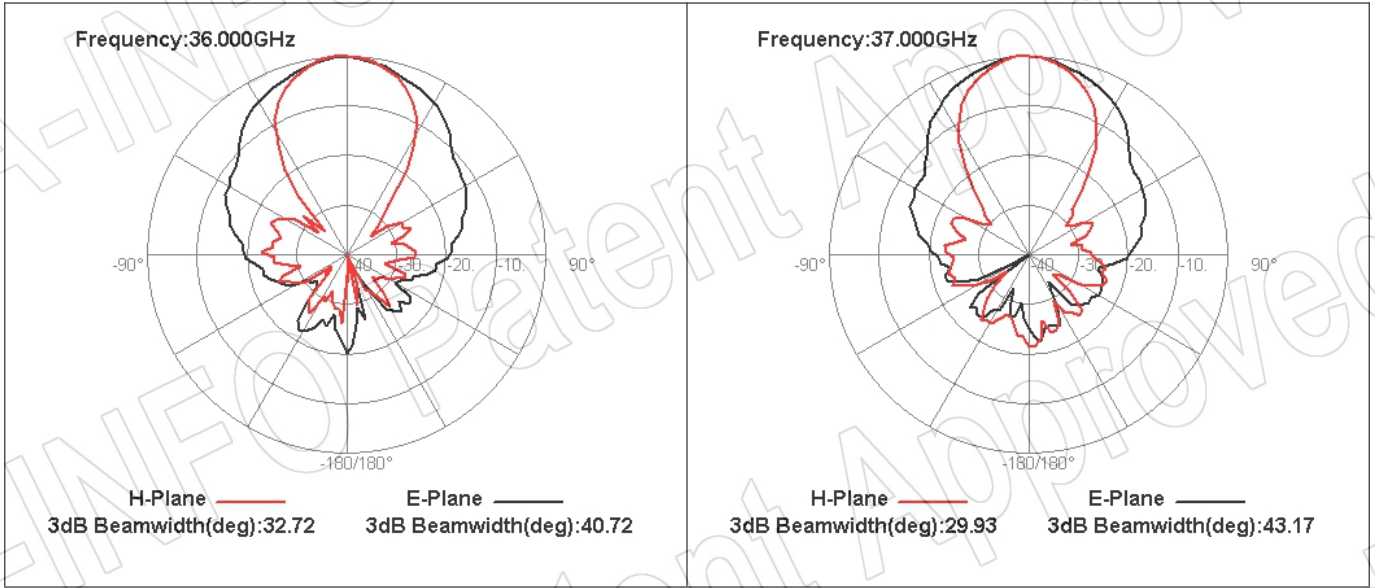


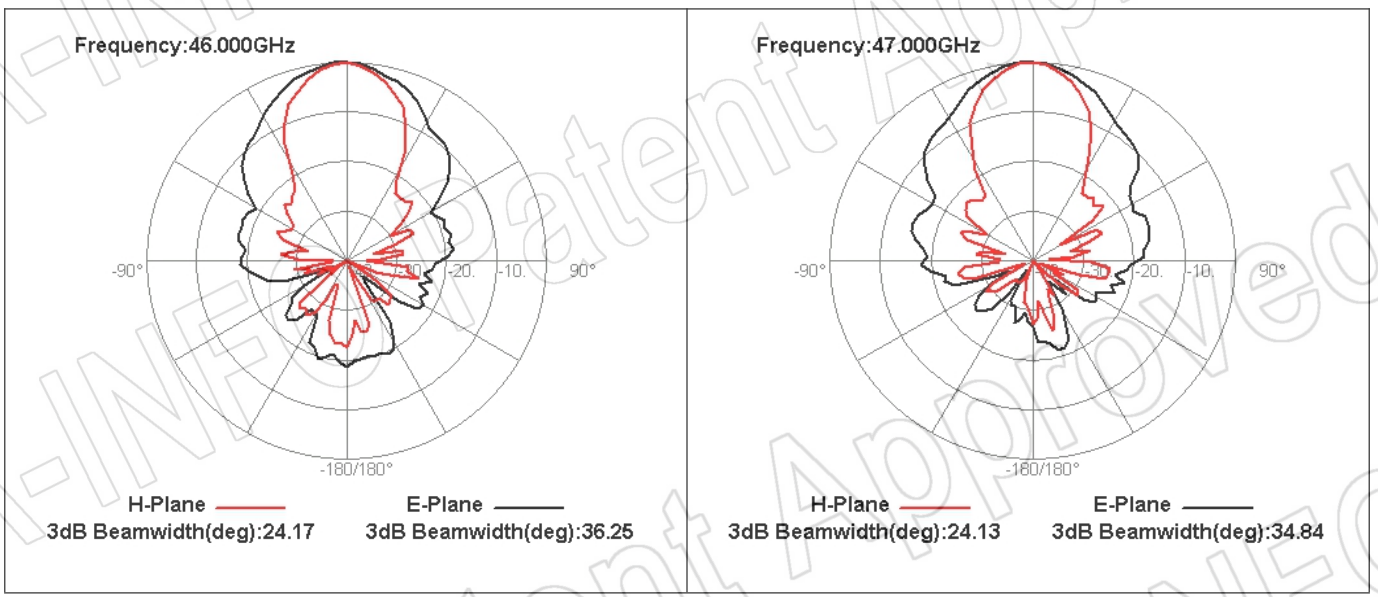
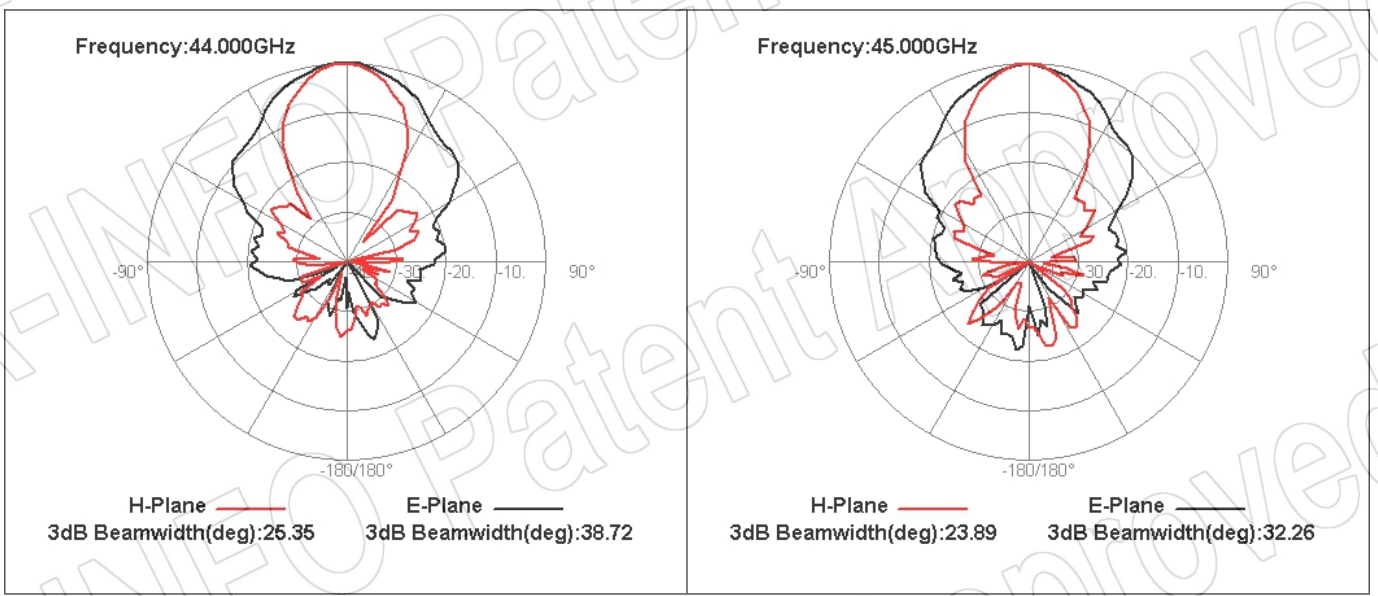
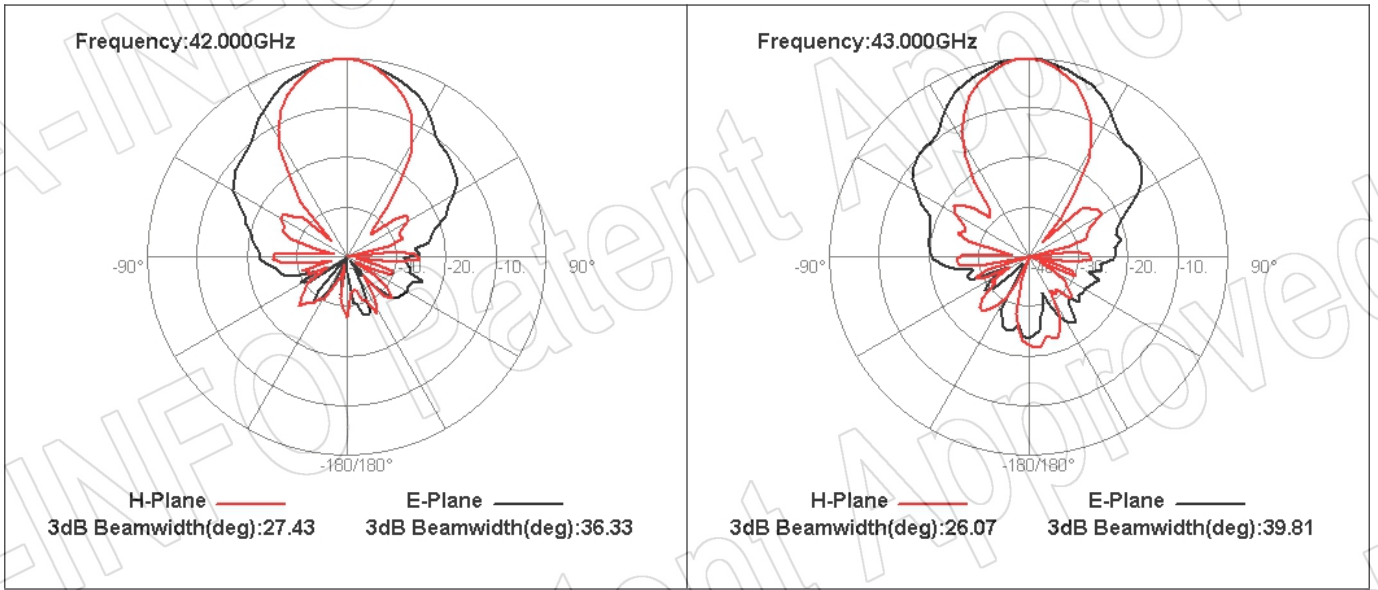


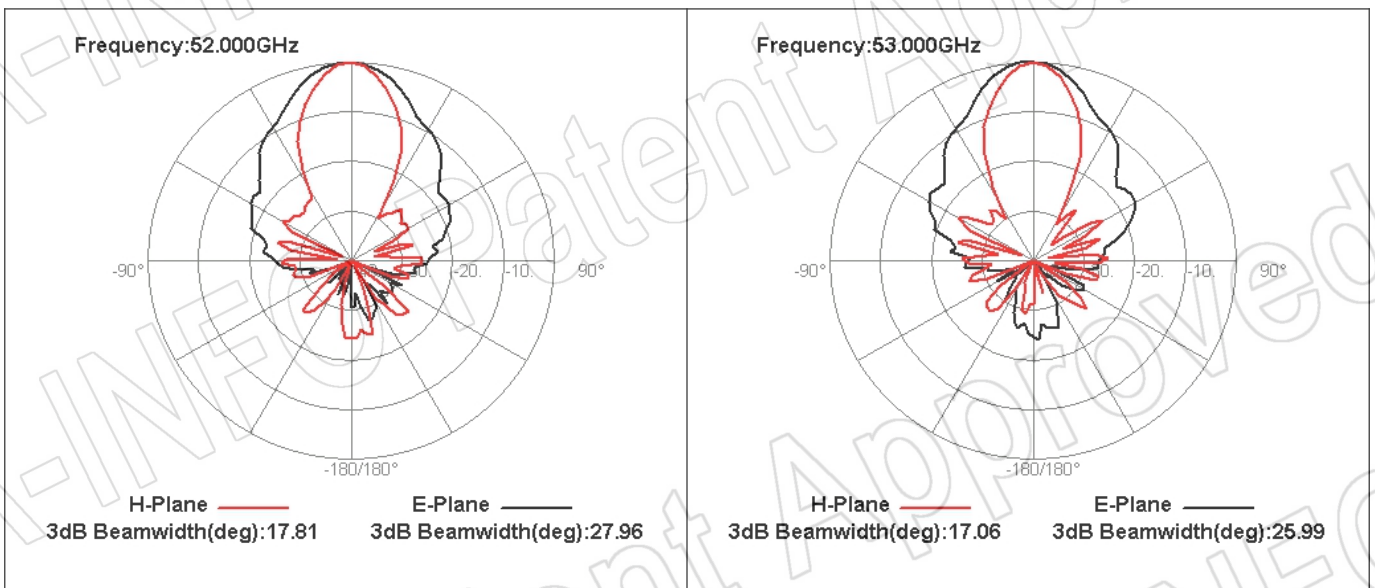
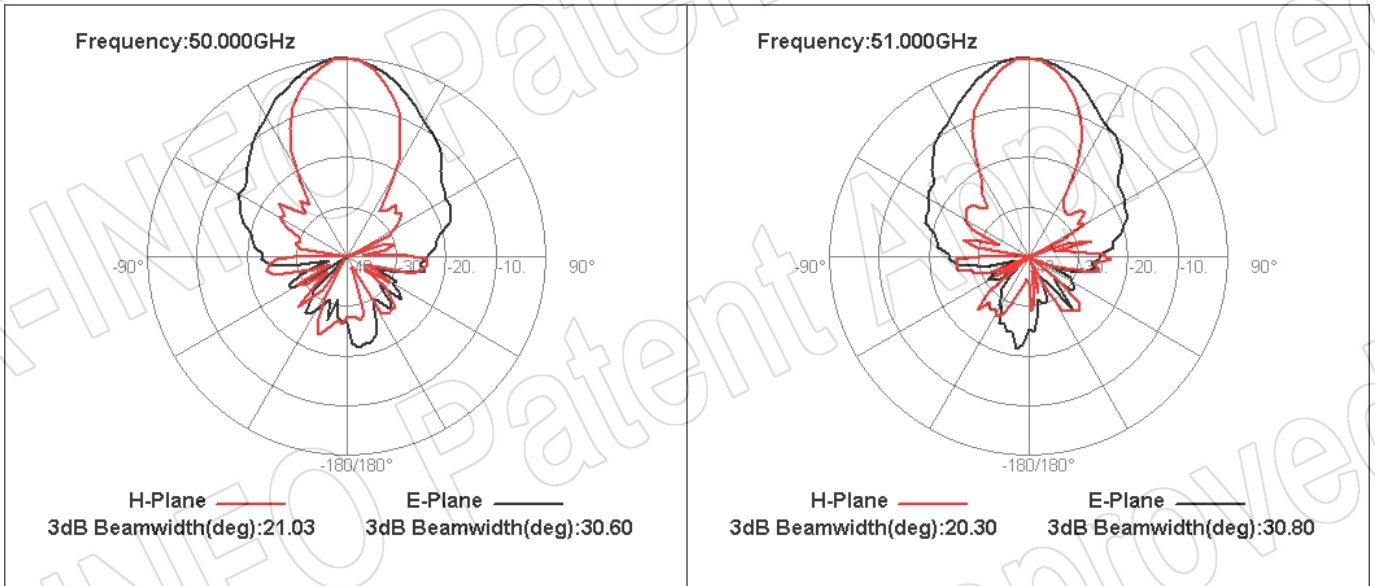
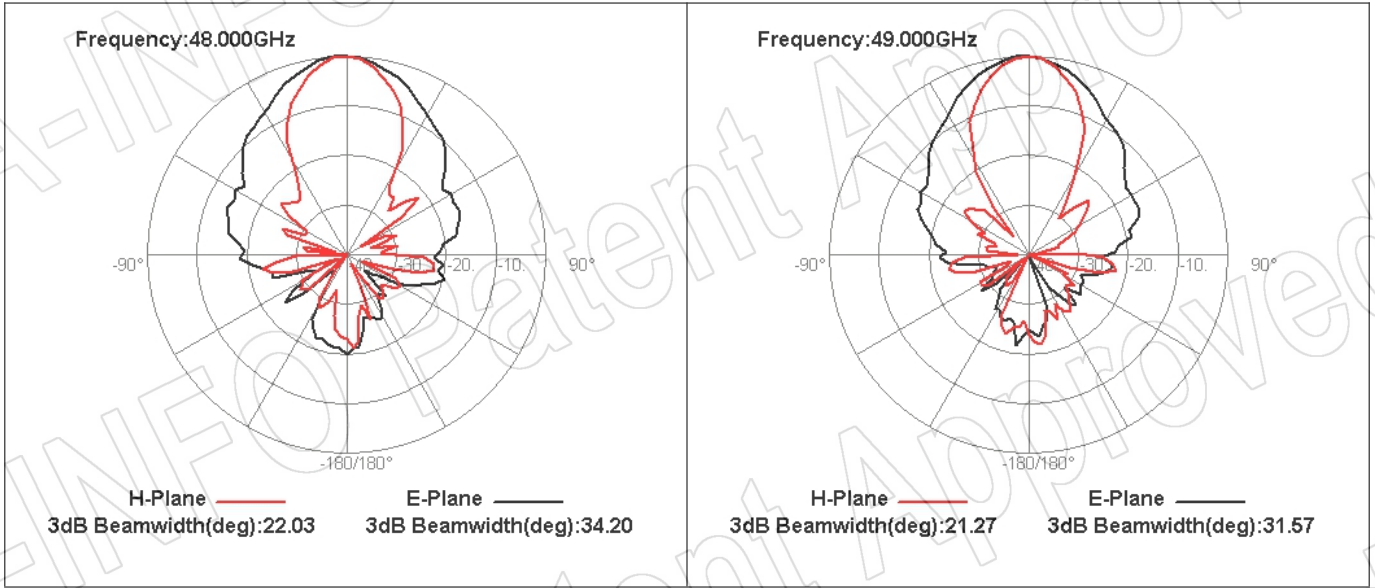


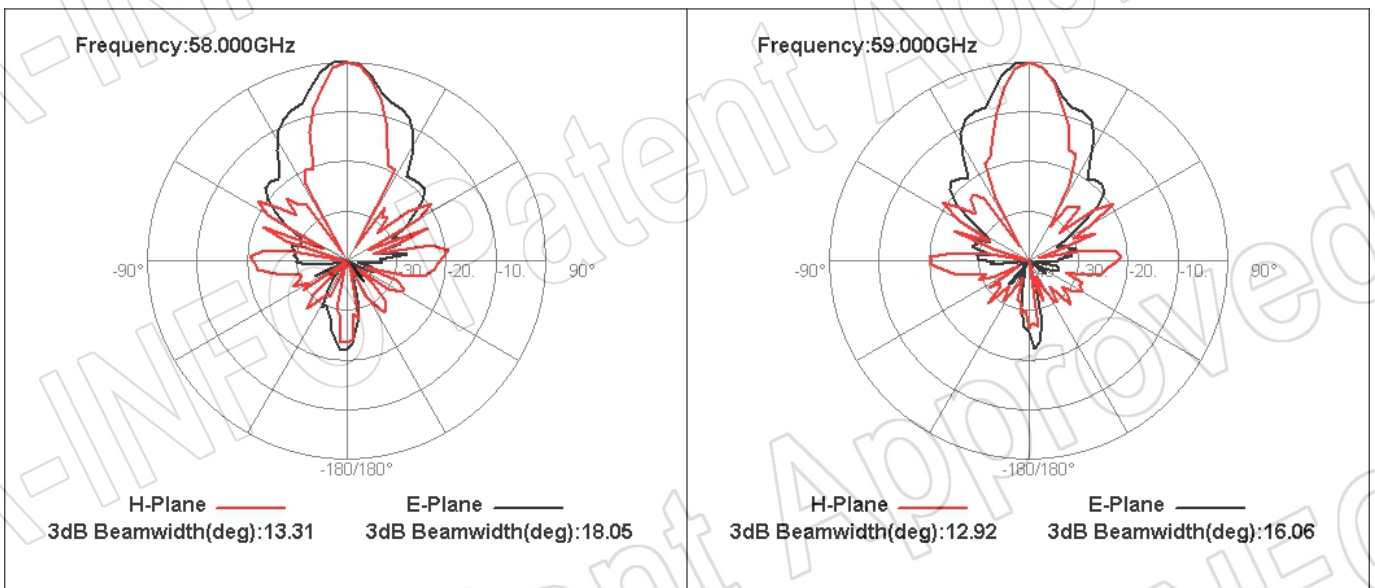
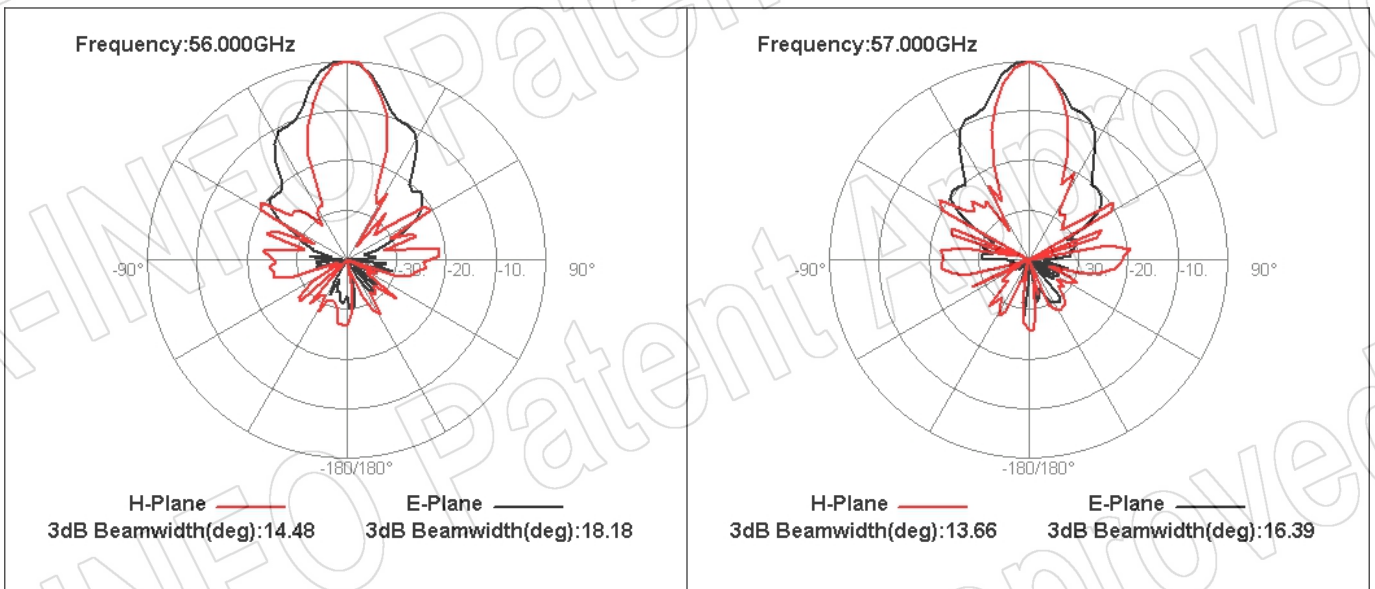
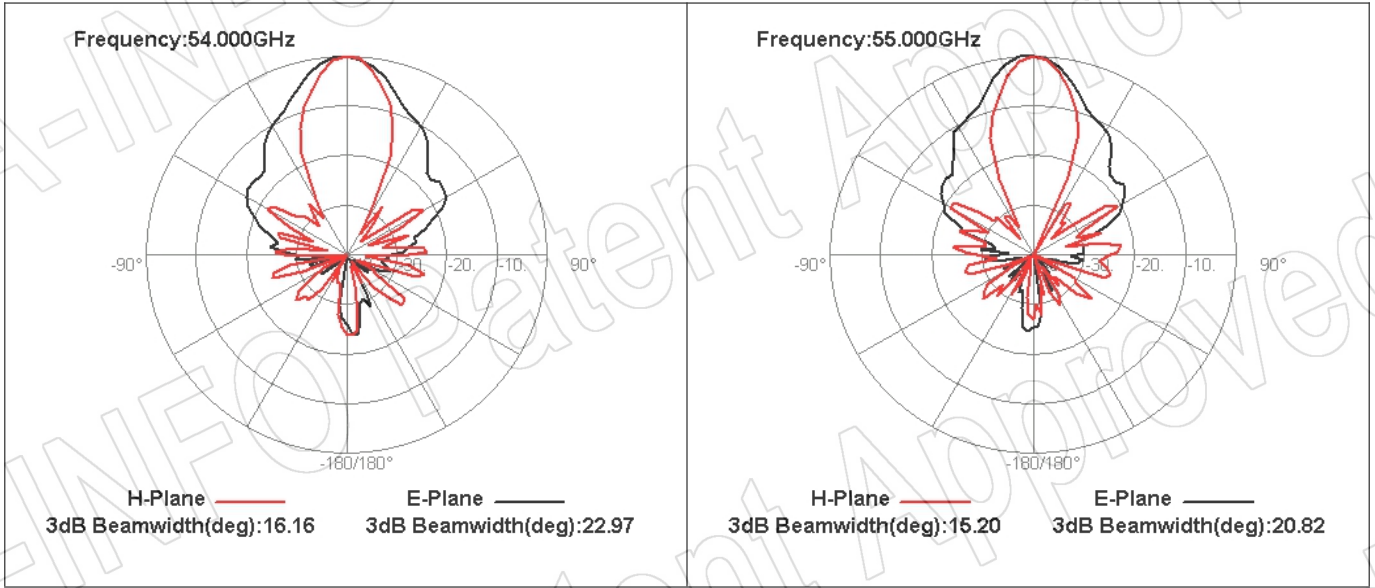


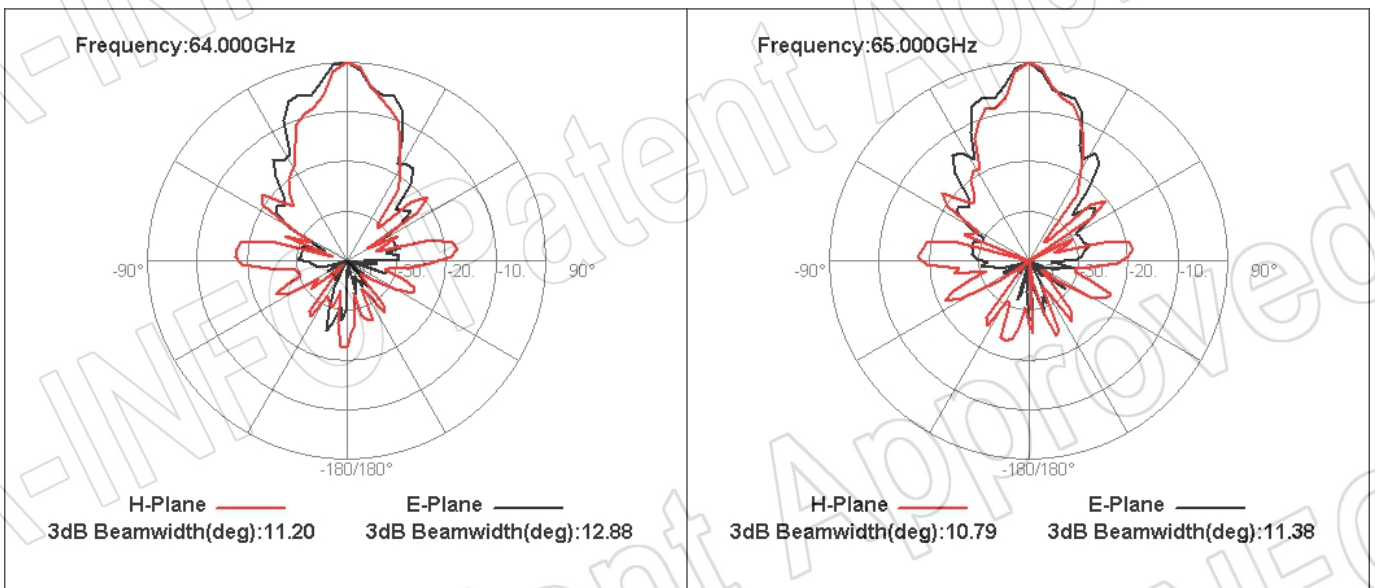
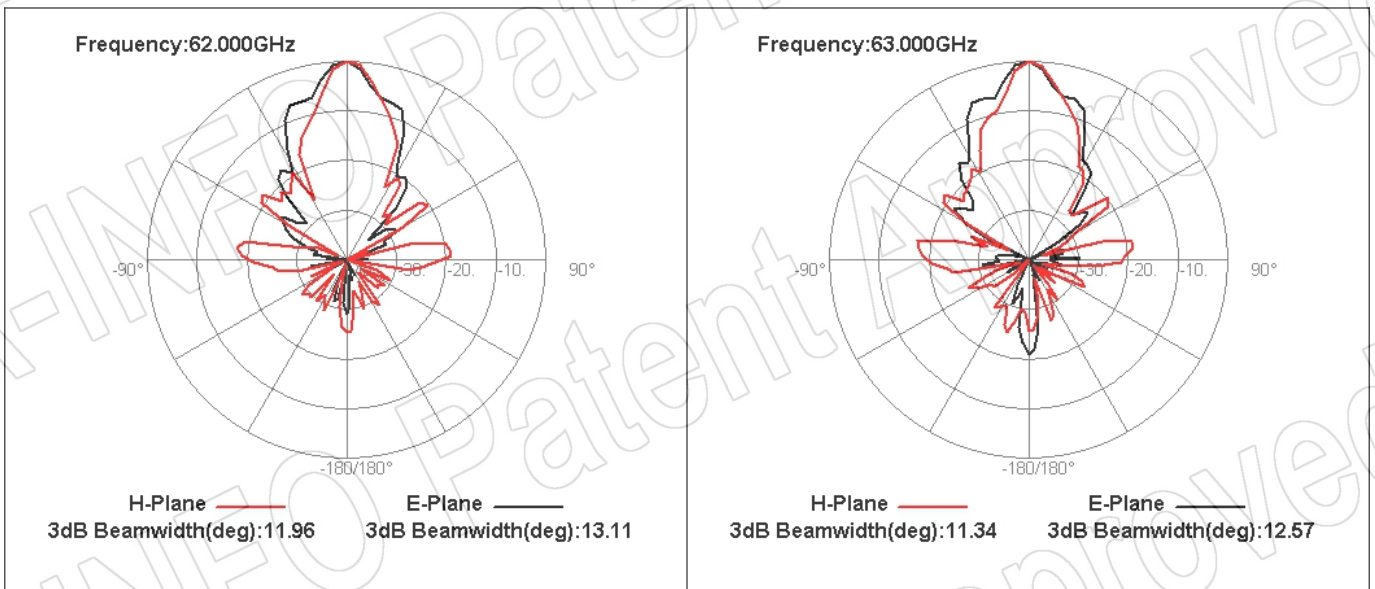
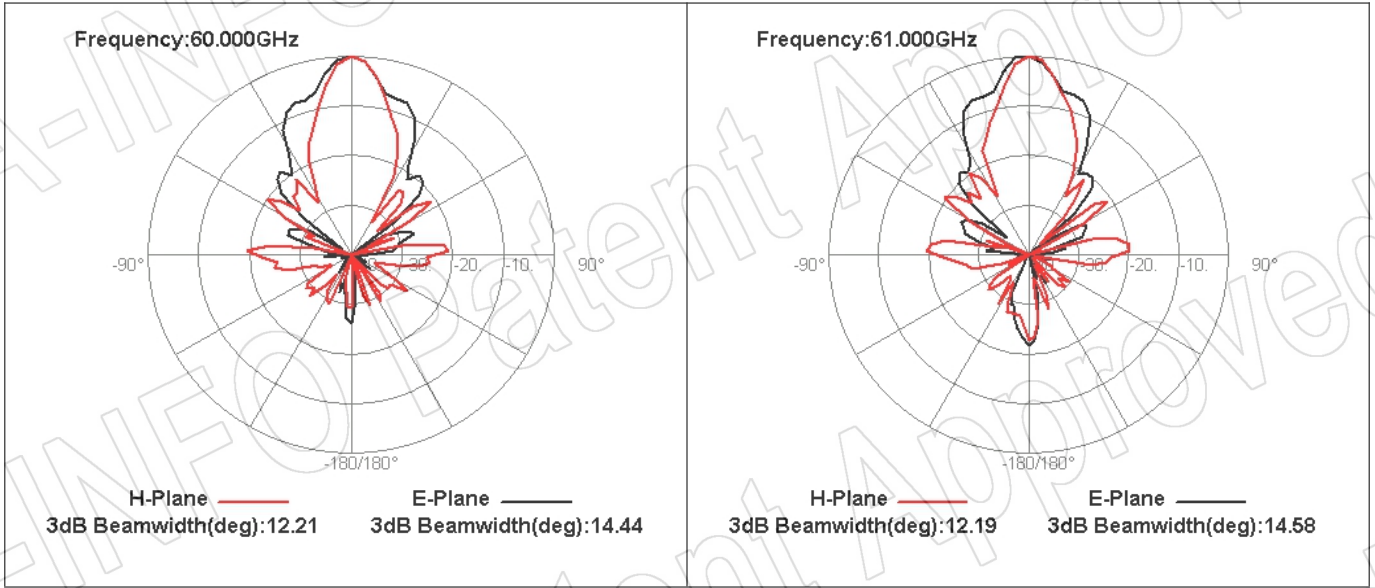


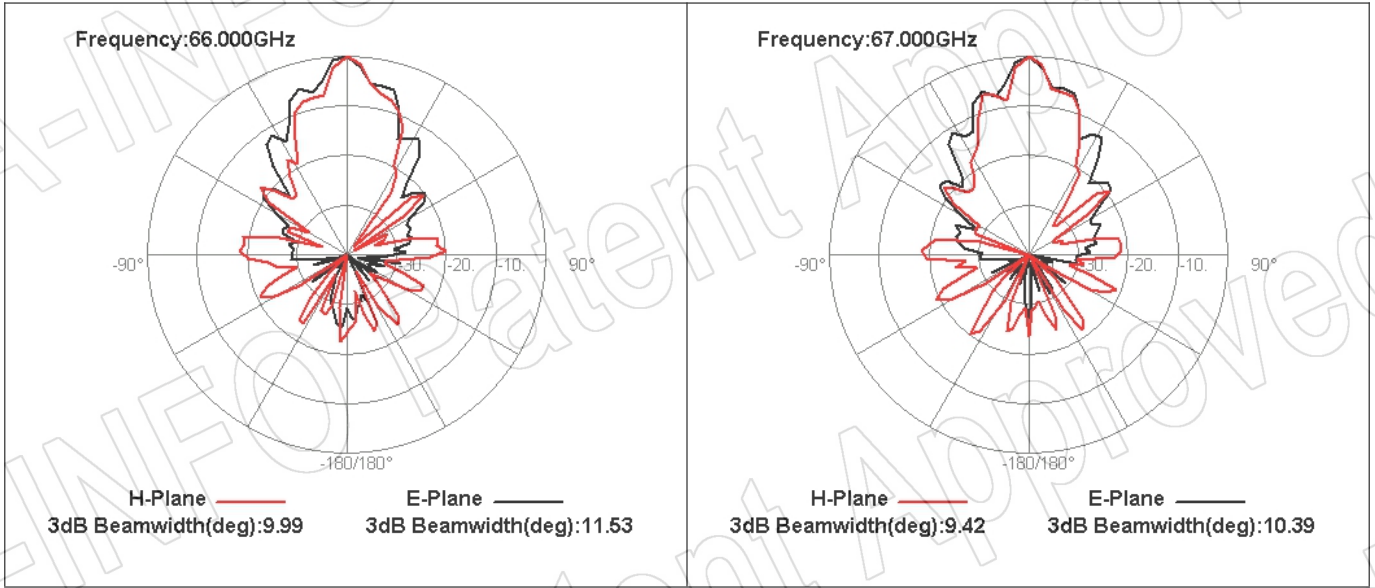












AINFO Inc.

China(Beijing):
China(Chengdu):
USA :

Tel: (+86) 10-6266-7326,
Tel: (+86) 28-8519-2786,
Tel: (+1) 949-639-9688,

(+86) 10-6266-7327
(+86) 28-8519-3044
(+1) 949-639-9608

Fax: (+86) 10-6266-7379
Fax: (+86) 28-8519-3068
Fax: (+1) 949-639-9670

Website: www.ainfoinc.com
Email: sales@ainfoinc.com